

**Contact Us: *FACTORY UTV LLC***

9237 Beatty Drive Sacramento, CA 95826

Phone : (916) 383-2730

E-mail : [info@factoryutv.net](mailto:info@factoryutv.net)

Go online: [www.Factoryutv.net](http://www.Factoryutv.net)



## **U.H.M.W. Skid Plate / Under Armor Package**

*Ultra. High. Molecular. Weight. polyethylene all terrain skid plate / under armor kit for UTV's*

### **Installation Guide (Skid Plate Package)**

***Kawasaki***

***Teryx KRX 1000 (2020+)***



# Kawasaki Teryx KRX 1000 (2020+) Instructions

#1

**Remove Stock Plastic Rear Skid plates.** Use 10mm socket and large Philips bit  
Remove 2x forward bolts, use 10mm socket. (See Diagram pg 3)

#2

## Rear Skid Plate :

Install: (2x) M6-1.0 x 20mm Flange Bolts in *Rear skid: ( B ) locations.*

*With Rear skid: ( B ) locations In place, bend Remaining skid plate up and*

Install Remaining: (3x) M6-1.0 x 20mm Flange Bolts in *Rear skid: ( B ) locations.*

Install: (6x) ¼"-20 x ¾" Self Tapping Bolts in remaining *Rear skid: ( A ) locations.* Use of (¼"-20 tap ) recommended.

*Leave bolts loose for adjustments*



(¼"-20 ) Tap

#3

## Main Skid Plate :

align edge with rear skid plate

Drill (2x) 13/64<sup>th</sup> holes and use a (¼"-20 ) Tap, as Required for (2x) *Main Skid: ( A ) locations.*

(¼"-20 ) Tap Required for ( A ) locations, but recommend use of tap for all ( A ) locations for ease of install.

Install main skid plate with: (4x) ¼"-20 x ¾" Self Tapping Bolts in center (4x) *Main Skid: ( A ) and ( A ) locations.*

Overlap edge and align with rear skid plate. Install: (3x) M6-1.0 x 25mm Flange Bolts in *Main Skid: ( D ) locations.*

*Leave bolts loose for adjustments, Disregard ( A<sub>1</sub> ), ( E ), and ( F ) locations until further steps.*



\*(Align Edge)

#4

## Front Diff. Skid Plate :

\* If Installing with a Front Bumper, Trim Front Diff along Bend line.

Align edge with Main Skid.

Install: (2x) M6-1.0 x 20mm Flange Bolts in *Front Diff. Skid: ( B ) locations.*

Install: (2x) ¼"-20 x ¾" Self Tapping Bolts in *Front Diff. Skid: ( A ) locations.* Use of (¼"-20 tap) recommended.

Install: (2x) ¼"-20 x 1" Counter Sunk Bolts in *Front Diff. Skid: ( C ) locations.* Fasten until Flush with UHMW.

If installing with out bumper, install: (2x) M6-1.0 x 20mm Flange Bolts in *Front Diff. Skid: ( B ) locations.*

*Leave bolts loose for adjustments.*



Fasten bolts until flush  
DO NOT over tighten

#5

## Rocksliders / Side skid bag :

Install rocksliders in-between skid plate and chassis frame.

Install: (2x) M6-1.0 x 30mm Flange Bolts in *Main Skid: ( E ) locations first.*

Install: (4x) M6-1.0 x 20mm Flange Bolts in *Main Skid: ( C ) locations.*

Fasten Remaining: (6x) M6-1.0 x 20mm Flange Bolts in *Rockslider: ( C ) locations.*

#6

## Main Skid Plate: ( A<sub>1</sub> )

*Once all Skid Plates are adjusted, centered and aligned, Fasten All Bolts Securely.*

*Press Main Skid plate ( A<sub>1</sub> ) locations firmly up against frame.*

Mark, Drill ,Tap and Install: (5x) ¼"-20 x ¾" Self Tapping Bolts in *Remaining Forward Main Skid: ( A<sub>1</sub> ) locations.*

*Use Caution while Drilling, as not to drill through floor boards.*

\* **Ensure** All Bolts Are Fastened Securely Before Use.

## **\* Drilling Instructions : \***

Use a : #No7 (13/64<sup>th</sup>) drill bit,

(one size above the commonly available 3/16<sup>th</sup> bit ) Recommended ¼"- 20 Tap \*( Optional )

To drill and thread self tapping bolts in to chassis frame.

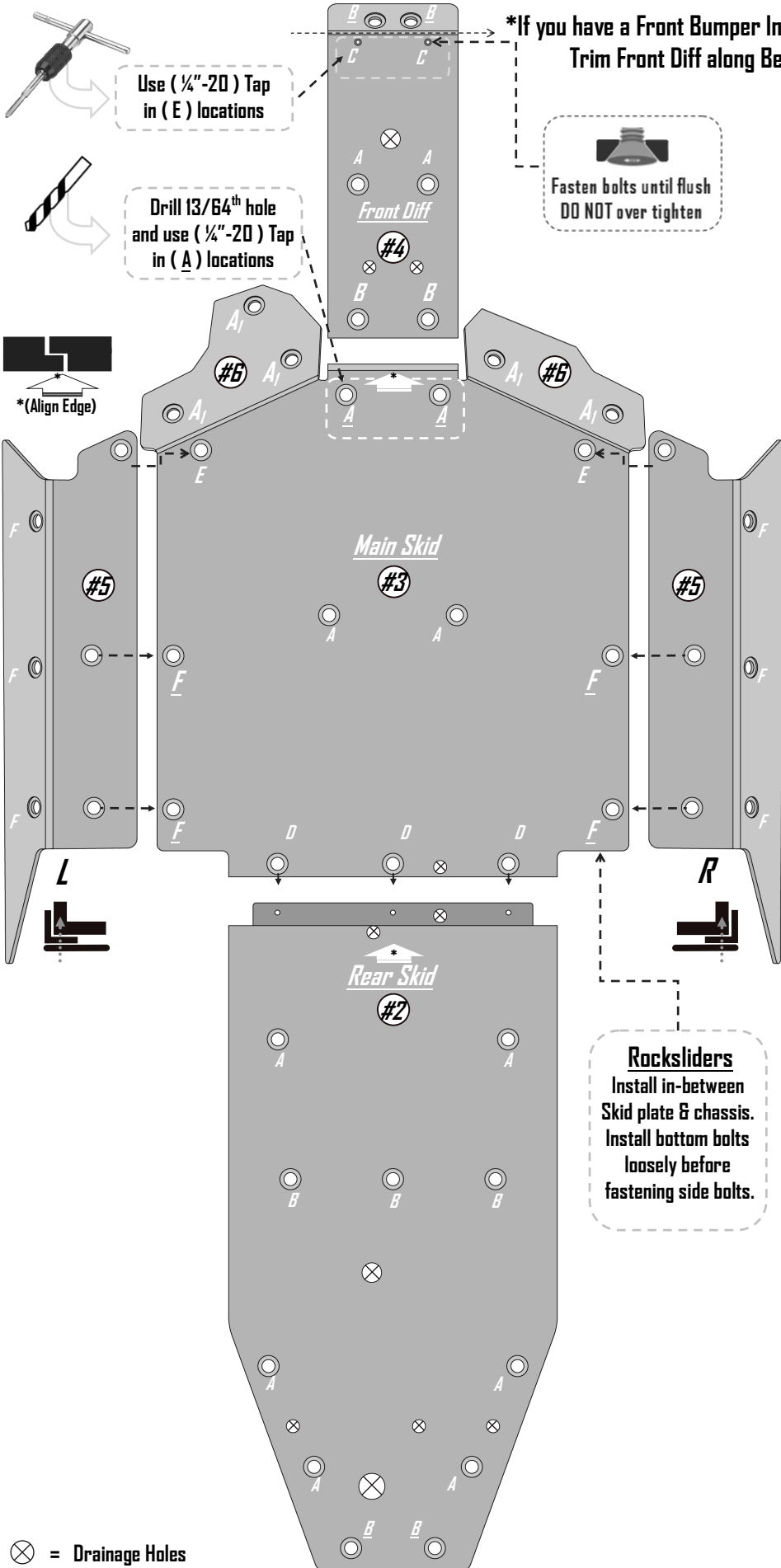
**Finger Thread All Bolts Prior To Fastening Securely With Power Tools.**

We strongly recommend the use of a "Thread Locking Compound" when installing any mounting hardware.

( When installation is complete , ensure all bolts are fastened securely.)

# Kawasaki Teryx KRX 1000 (2020+)

**Read :**  
 Instructions on pg.#2.  
 Remove stock plastic skid plates,  
 Use 10mm socket and  
 large Philips Bits For Removal.  
 See drilling instructions  
 prior to drilling.



\*If you have a Front Bumper Installed,  
 Trim Front Diff along Bend line.

Use ( 1/4"-20 ) Tap  
 in ( E ) locations

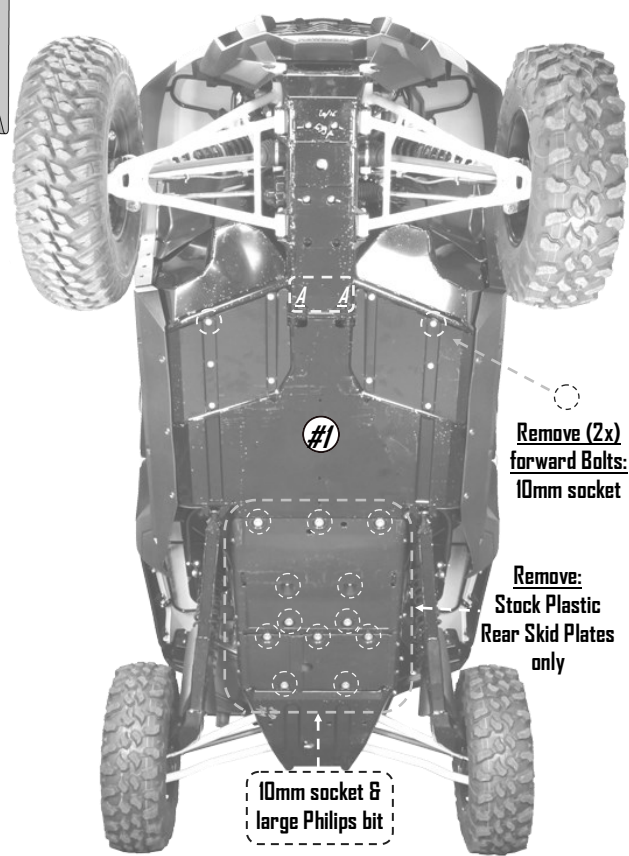
Drill 13/64<sup>th</sup> hole  
 and use ( 1/4"-20 ) Tap  
 in ( A ) locations

Fasten bolts until flush  
 DO NOT over tighten

**Installation Requires:**  
 13/64<sup>th</sup> Drill Bit and ( 1/4"-20 ) Tap

Installation may require the use of  
 Clamps or a Car jack to aid with install.

**Rocksliders**  
 Install in-between  
 Skid plate & chassis.  
 Install bottom bolts  
 loosely before  
 fastening side bolts.



Remove (2x)  
 forward Bolts:  
 10mm socket

Remove:  
 Stock Plastic  
 Rear Skid Plates  
 only

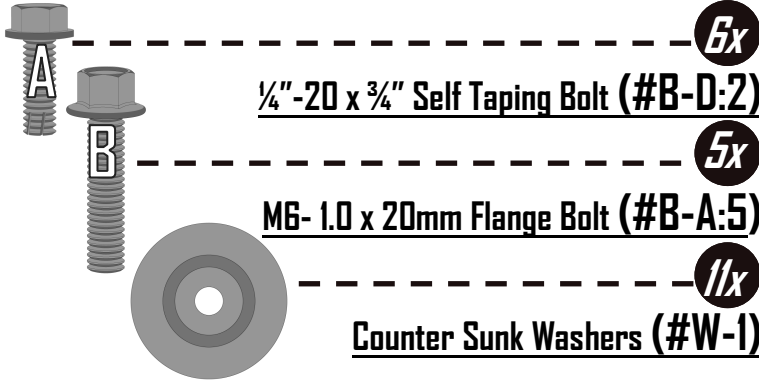
10mm socket &  
 large Philips bit

⊗ = Drainage Holes  
 Do Not Use For Mounting

# Kawasaki Teryx KRX 1000 (2020+) Hardware

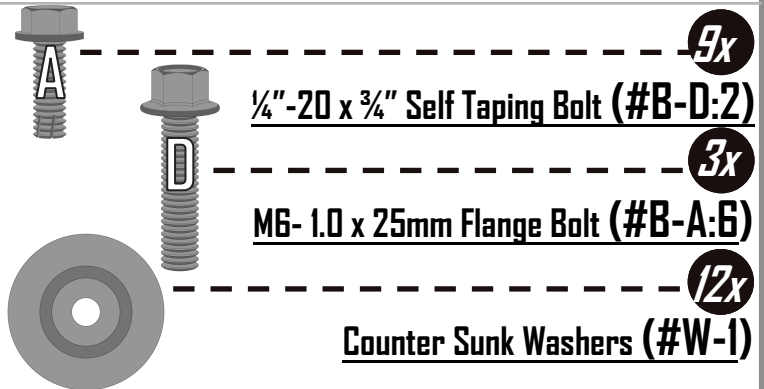
#2

## Rear Skid small bag:



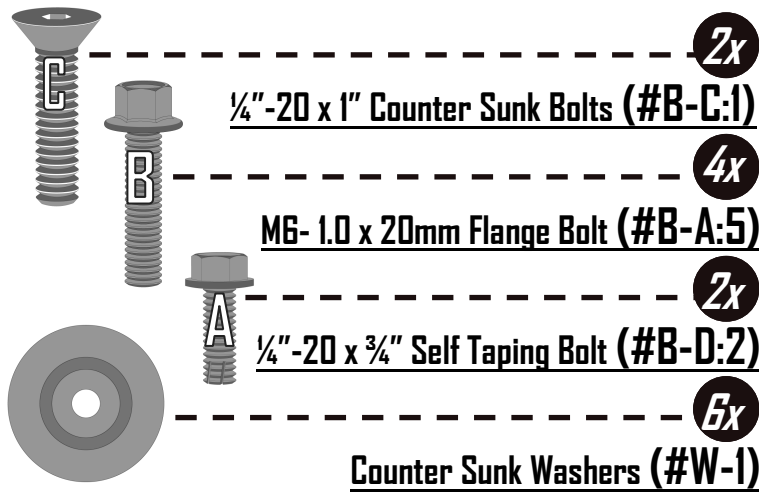
#3

## Main Skid Large bag:



#4

## Front Diff Skid small bag:



#5

## Sides Skid Large bag:

